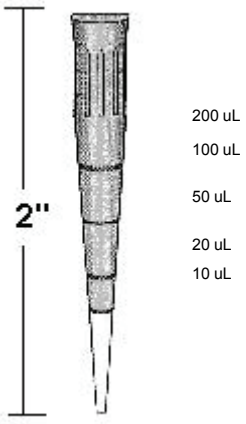
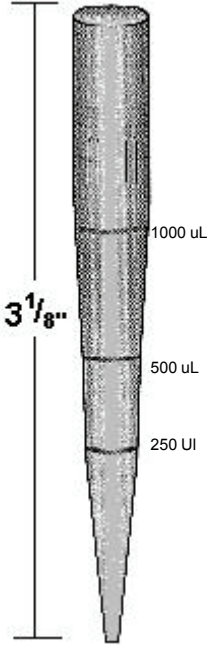
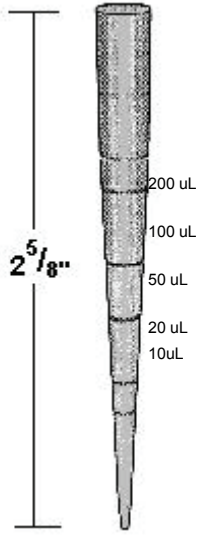
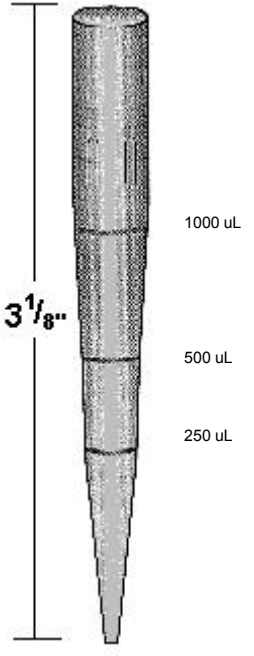




Pipet Tips: Reference Tips

Reference Pipet Tips				Reference Slim Pipet Tips			
A – 1-250 uL		B – 101-1000 uL		C – 1-200 uL		D – 101-1000 uL	
Replacement for:		Replacement for:		Replacement for:		Replacement for:	
Eppendorf®	1-100 uL	Oxford®	200-1000 uL	Oxford® Series:		Oxford® Series:	
Pipetman™	1-200 uL	Eppendorf®	101-1000 uL	8000	10-200 uL	8000	600-1000 uL
Finnpipette	1-250 uL	Pipetman™	200-1000 uL	9000 Model Q	10-200 uL	9000 Model Q	600-1000 uL P-7000
Socorex	5-100 uL	Finnpipette	200-1000 uL	P-7000	1-200 uL	200-1000 uL	
		Finnpipette	200-1000 uL	3000	Adjustable Abbott	3000	Adjustable Abbott
		Socorex	101-1000 uL	1-200 uL Helena		600-1000 uL Helena	
				Quickpette	10-200 uL	Quickpette	501-1000 uL
							

Ordering Information

A				B				C				D			
Catalog #	Tips/Rack	Tips/Pkg	Pkg.Cs	Catalog #	Tips/Rack	Tips/Pkg	Pkg.Cs	Catalog #	Tips/Rack	Tips/Pkg	Pkg.Cs	Catalog #	Tips/Rack	Tips/Pkg	Pkg.Cs
0001	N/A	1000	10	0002	N/A	1000	10	1012	N/A	1000	10	1212	N/A	1000	10
0001R	250	1000	10	0002R	250	1000	10	1012R	250	1000	10	1212R	250	1000	10
0001RN	96	960	10	0002RN	100	10000	5	N/A	N/A	N/A	N/A	1212RN	100	10000	5
0001RS1	96	960	10	0002RS1	100	1000	5	N/A	N/A	N/A	N/A	1212RS1	100	1000	5

BIO PLAS, INC. A WOMAN OWNED SMALL BUSINESS

4340 Redwood Hwy, Suite A1, San Rafael, CA 94903 USA Tel: (415) 472-3777 Fax: (415) 472-3758

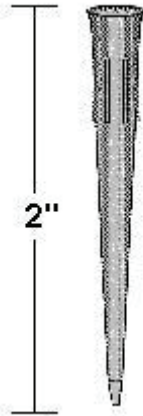
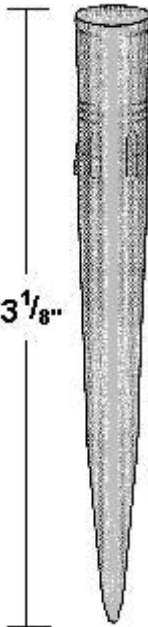
info@bioplas.com www.bioplas.com

Autoclavable
 at
 250°F
 at
 15 psi
 for
 15 mins



Uni-Tip™ Universal Pipet Tips

Racked pipet tips allow the user to mount pipet tips in one efficient motion. The rack design features a seamless bottom that does not “breathe in” bench debris and contaminate tips when rack lid is opened. Racks are autoclavable at 250° F for 15 minutes at 15 psi.

1 – 250 uL	101 – 1000 uL
 <p style="text-align: center;">2"</p>	 <p style="text-align: center;">3 1/8"</p>
<p>Replacement for:</p> <p>Eppendorf® 1-100 uL Pipetman™ 1-200 uL Finnpiquette 1-250 uL Socorex 5-100 uL</p>	<p>Replacement for:</p> <p>Eppendorf® 101-1000 uL Pipetman™ 200-1000 uL Oxford® 200-1000 uL Finnpiquette 200-1000 uL Socorex 101-1000 uL</p>

Ordering Information							
1-250 uL				101-1000 uL			
Catalog #	Tips/ Rack	Tips/ Pkg	Pkg.Cs	Catalog #	Tips/ Rack	Tips/ Pkg	Pkg.Cs
0003	N/A	1000	10	0004	N/A	1000	10
0003R	250	1000	10	0004R	250	1000	10
0003RN	96	960	10	0004RN	100	10000	10
0003RS1	96	960	10	0004S1	100	1000	10

Uni-Tips™ Benefits:

- Fit Multiple Brand Name Ejector Models
- Inventory Reduction
- Rimless
- Racked or In Bulk

Autoclavable
 at
 250°F
 at
 15 psi
 for
 15 mins

BIO PLAS, INC. A WOMAN OWNED SMALL BUSINESS

4340 Redwood Hwy, Suite A1, San Rafael, CA 94903 USA Tel: (415) 472-3777 Fax: (415) 472-3758 info@bioplas.com

www.bioplas.com



Economical Alternatives to Brand Name Pipet Tips

Made from virgin, non-wettable polypropylene, these tips are designed to replace specific manufacturer's tips.

For easy selection of replacement tips for your particular brand pipetter:

1. Find the brand you are currently using on the chart below. Example: Eppendorf®.
2. Find the tip volume. Example: 1-100 uL
3. Find the Tip Code at the bottom of the chart and use the code to locate the diagram and catalog number for the replacement tip in the charts on the following pages.

Equivalent pipet tips are available in bulk packaging (bagged) or racked



Bulk 1000/Bag

Bag



Rack

Racks are autoclavable to 250° F for 15 minutes at 15 psi

BRAND NAME CROSS REFERENCE










Manufacturer/Brand	Tip Volume Range, uL																			
	100-1000	1-100	101-1000	1-250	200-1000	1-200	200-1000	10-200	250-1000	1-250	5-200	1-200	250-500	600-1000	250-1000	250-1000	5-500	5-100	101-1000	
C/A Selecapette																				
Eppendorf®																				
Finnpipette																				
Gilson Pipetman™																				
MLA®																				
Multi-Channel Titertek® and Octapette®																				
Oxford®																				
Oxford® Slim Tip																				
Sherwood/Lancer																				
Wheaton/Socorex																				
Tip Code	A	B	C	D	E	F	G	H	I	J	K	L	M	N	O	P	Q	R		

BIO PLAS, INC. A WOMAN OWNED SMALL BUSINESS

4340 Redwood Hwy, Suite A1, San Rafael, CA 94903 USA Tel: (415) 472-3777 Fax: (415) 472-3758 info@bioplas.com

www.bioplas.com












REPLACEMENT TIP CHART			Catalog Numbers			
Tip Code	Diagram	Length In.	Wells/Rack	Racks /pkg.	Racked	Bag (1000)
A	 Natural	4	N/A	N/A	N/A	1800
B	 Yellow	2	250 96 96	4 10 10	1300R 1300RN 1300RS1	1300
C	 Blue	3 ½	250 100 100	4 10 10	1400R 1400RN 1400RS1	1400
D	 Natural	2	250 96 96	4 10 10	2400R 2400RN 2400RS1	2400
E	 Green	3 ½	250 100 100	4 10 10	2500R 2500RN 2500RS1	2500
F	 Yellow	2	250 96 96	4 10 10	2000R 2000RN 2000RS1	2000
G	 Blue	3 ½	250 100 100	4 10 10	2100R 2100RN 2100RS1	2100
H	 Natural	1 ½	250 96 96	4 10 10	1600R 1600RN 1600RS1	1600
I	 Natural	3 ½	250	4	1700R	1700

BIO PLAS, INC. A WOMAN OWNED SMALL BUSINESS

4340 Redwood Hwy, Suite A1, San Rafael, CA 94903 USA Tel: (415) 472-3777 Fax: (415) 472-3758 info@bioplas.com
www.bioplas.com



REPLACEMENT TIP CHART			Catalog Numbers			
Tip Code	Diagram	Length In.	Wells/Rack	Racks /pkg.	Racked	Bag (1000)
J	 Natural	2	96 96 96	10 10 10	3500R 3500RN 3500RS1	3500
K	 Natural	1 3/4	250	4	1000R	1000
L	 Natural	2 3/4	250	4	1010R	1010
M	 Yellow	2 3/16				1100
N	 Green	3 3/4	250 100 100	4 10 10	1200R 1200RN 1200RS1	1200
O	 Blue	3	250 100 100	4 10 10	1211R 1211RN 1211RS1	1211
P	 Natural	2 3/4				1500
Q	 Yellow	2	250 96 96	4 10 10	2600R 2600RN 2600RS1	2600
R	 Blue	1 3/4	250 100 100	4 10 10	2700R 2700RN 2700RS1	2700

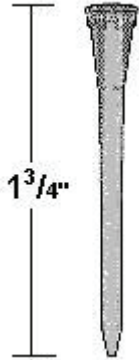
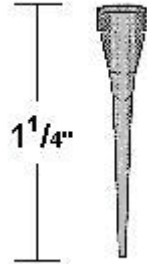
BIO PLAS, INC. A WOMAN OWNED SMALL BUSINESS

4340 Redwood Hwy, Suite A1, San Rafael, CA 94903 USA Tel: (415) 472-3777 Fax: (415) 472-3758 info@bioplas.com
www.bioplas.com



Ultra-Micro Pipet Tips

Designed to fit the full range of Eppendorf®, Pipetman™ and Oxford® Benchmate® Ultra Micro Pipettes. Thin, tapered delivery end eliminates carryover during pipetting. Manufactured with natural virgin polypropylene and warranted to be trace metal free. Racked pipet tips allow the user to mount pipet tips in one efficient motion. The rack design features a seamless bottom that does not “breathe in” bench debris and contaminate tips when rack lid is opened. Racks are autoclavable at 250° F for 15 minutes at 15 psi.

0.5 – 10 uL		0.1 – 10 uL	
 <p>1 3/4"</p>	<p>Replacement for:</p> <p>Eppendorf® 0.5-10 uL Oxford® Benchmate® 0.5-10 uL</p>	 <p>1 1/4"</p>	<p>Replacement for:</p> <p>Pipetman™ Model P-2 0.1-2.0 uL Model P-10 0.5-10 uL</p>

Ordering Information

0.5 – 10 uL				0.1 – 10 uL			
Catalog #	Tips/Rack	Tips/Pkg	Pkg.Cs	Catalog #	Tips/Rack	Tips/Pkg	Pkg.Cs
1310	N/A	1000	10	2010	N/A	1000	10
1310RN	96	960	10	2010RN	96	960	10
1310RS1	96	960	10	2010RS1	96	960	10



Siliconized Pipet Tips

Universal fit that will provide an absolute seal on these single channel pipettors.



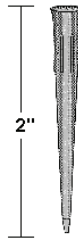
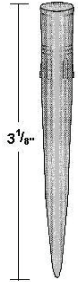
Siliconized Pipet Tips are not recommended for autoclaving.

Siliconized Pipet Tips Benefits:

- Specially formatted siliconized polypropylene to help eliminate sample residue and cross-contamination
- Allows for precise and complete sample delivery
- Ideal for use in DNA and Thermal Cycling Procedures
- Low adhesion surface assures complete transfer of samples
- Prevents protein or nucleic acid adherence

Ordering Information

Catalog #	Description	Pkg. Qty	Pkgs./ Case
3600SL	Siliconized Uni-Tip, 1-200uL, Natural	500	20
3601SRS	Siliconized Uni-Tip, 1-200uL - Racked <i>Sterile</i> , Natural	96 x 10	1
3605SL	Siliconized Uni-Tip, 100-1000uL, Natural	500	20
3606SRS	Siliconized Uni-Tip, 100-1000uL - Racked - <i>Sterile</i> , Natural	100 x 10	1
3620SL	Siliconized Eppendorf/Oxford Ultra Micro Tip, 0.5-10uL, Natural	500	20
3621SRS	Siliconized Eppendorf/Oxford Ultra Micro Tip, 0.5-10uL - Racked - <i>Sterile</i> , Natural	96 x 10	1
3625SL	Siliconized Pipetma Ultra Micro Tip, 0.1-10uL, Natural	500	20
3626SRS	Siliconized Pipetma Ultra Micro Tip, 0.1-10uL - Racked, Natural	96 x 10	1

0.5-10uL	0.1-10uL
 <p>Replacement for: Eppendorf® (45mm)</p>	 <p>Replacement for: Pipetman™ Model P2-P10 (31mm)</p>
1 - 200 uL	100-1000 uL
 <p>Replacement for: Eppendorf® 1-100 uL Pipetman™ 1-200 uL Finnpipette 1-250 uL Socorex 5-100 uL</p>	 <p>Replacement for: Eppendorf® 101-1000 uL Pipetman™ 200-1000 uL Oxford® 250-1000 uL Finnpipette 200-1000 uL Socorex 101-1000 uL</p>

BIO PLAS, INC. A WOMAN OWNED SMALL BUSINESS

4340 Redwood Hwy, Suite A1, San Rafael, CA 94903 USA Tel: (415) 472-3777 Fax: (415) 472-3758 info@bioplas.com

www.bioplas.com